

Patents, Designs, and Trade Marks

SUPPLEMENT

TO THE

NEW ZEALAND GAZETTE

OF

THURSDAY, APRIL 6, 1911.

Published by Authority.

WELLINGTON, THURSDAY, APRIL 6, 1911.

CONTENTS.

	Page
International and Intercolonial Arrangements for the Mutual Protection of Patents and Trade Marks ..	1249
Notice <i>re</i> Holidays	1250
Applications for Letters Patent filed	1250
Complete Specifications filed after Provisionals ..	1251
Complete Specifications accepted	1251
Provisional Specifications accepted	1256
Letters Patent sealed	1256
Letters Patent on which Fees have been paid ..	1257
Subsequent Proprietor of Letters Patent registered	1257
Applications for Letters Patent abandoned ..	1257
Applications for Letters Patent void	1257
Applications for Letters Patent lapsed	1257
Letters Patent void	1257
Design registered	1257
Applications for Trade Marks filed	1257
Applications for Registration of Trade Marks ..	1258
Trade Marks registered	1262
Trade Mark Renewal Fees paid	1263
Subsequent Proprietor of Trade Mark registered ..	1263
Trade Marks removed from the Register	1263
Applications for Trade Marks withdrawn	1263

International and Intercolonial Arrangements for the Mutual Protection of Patents and Trade Marks.

INTERNATIONAL CONVENTION.

THE following countries now belong to the Convention :—

Australia.	Hungary.
Austria.	Italy.
Belgium.	Japan.
Brazil.	Mexico.
Ceylon.	New Zealand.
Cuba.	Norway.
Denmark and Faroe Islands.	Portugal, with the Azores and Madeira.
Dominican Republic.	Servia.
France, with Algeria and colonies.	Spain.
Germany.	Sweden.
Great Britain.	Switzerland.
Holland, with East Indian colonies, Curaçoa, and Surinam.*	Trinidad and Tobago.
	Tunis.
	United States of America.

* Trade marks only.

Separate arrangements have been made between Australia and New Zealand.

Particulars of the Convention and of such arrangements may be seen in the following *Gazettes* :—

Notification of adhesion of New Zealand to the Convention, with text thereof (in English), in the *Gazette* of 26th November, 1891; notification of adherence of New Zealand to the Additional Act of the Convention, in *Patents Supplement to Gazette* No. 101, of the 16th November, 1905; Order in Council applying section 103 of the Imperial Act to New Zealand, in *Gazette* No. 27, of the 15th May, 1890; Orders in Council containing arrangements between Australia and New Zealand, in *Patent Supplements to the Gazette* Nos. 22, of the 9th March, 1905, and 38, of the 20th April, 1905.

Easter Holidays.

Office of the Minister of Internal Affairs, Wellington, 21st March, 1911.

IT is hereby notified for general information that Friday, the 14th, Saturday, the 15th, and Monday, the 17th day of April, 1911, will be observed as holidays in the public offices of the Government of New Zealand.

By order.

HUGH POLLEN,
Under-Secretary.

Applications for Letters Patent filed.

LIST of applications for Letters Patent filed. (Where a complete specification accompanies an application an asterisk is affixed; in all other cases a provisional specification has been lodged. In all cases where the applicant is not the inventor the name of the latter appears in italics in brackets. † Denotes an application under the International and Intercolonial Arrangements.)

Parry, H. T., Christchurch, N.Z.	Motor-belt; 29278; 15th March.
Secombe, H. H., Auckland, N.Z.	Window-fastener*; 29279; 16th March.
Stubbs, F., Remuera, N.Z.	Flushing-apparatus*; 29280; 18th March.
Mosley, J., Stirling, N.Z.	Pipes, distributing water through*; 29281; 18th March.
Cooper, J. G., Auckland, N.Z.	Statement form, &c.*; 29282; 18th March.
Alpe, F. G., Auckland, N.Z.	Statement form, &c.*; 29282; 18th March.
Alpe, R. E., Auckland, N.Z.	Statement form, &c.*; 29282; 18th March.
Gummer, L. E., Auckland, N.Z.	Floor-mats fastening; 29283; 16th March.
Simonsen, C., Alexandra, N.Z.	Water rise detector for holds, &c.*; 29284; 16th March.
Casper, E., Invercargill, N.Z.	Lime-kiln; 29285; 16th March.
Ashoroff, E. A., London, Eng.	Metallic sodium and potassium manufacture*; 29286; 16th March.
Hodge, E., Christchurch, N.Z.	Wood-turning machine; 29287; 17th March.
Gloyn, W., Whangarei, N.Z.	Bridge-lifting*; 29288; 20th March.
Werner, A., Doyleston, N.Z.	Sheave-elevator*; 29289; 20th March.
Turnbull, W., Wellington, N.Z.	Flushing-valve; 29290; 20th March.
McDonald, H., Auckland, N.Z.	Lock-nut*; 29291; 20th March.
Juriss, A., Oamaru, N.Z.	Rudder Y joint; 29292; 16th March.
Taylor, J., Christchurch, N.Z.	Safety rail and window-sash raiser; 29293; 20th March.
Wearn, J. S., Linwood, N.Z.	Tramcar side-rail attachment; 29294; 20th March.
Arlow, M., Lower Riccarton, N.Z.	Clothes-washing apparatus; 29295; 20th March.
Davy, E., Natal Spruit, Transvaal	Gold-extraction; 29296; 21st March.
Davy, F., Natal Spruit, Transvaal	Gold-extraction; 29296; 21st March.
Mackenzie, J. D., Rosettenville, Transvaal	Gold-extraction; 29296; 21st March.
Bertram, C. S., Benoni, Transvaal	Gold-extraction; 29296; 21st March.
McLean, T. D., Wellington, N.Z.	Sheep-shearing machines starting and stopping; 29297; 21st March.
McLean, F. R., Waipatiki, N.Z.	Sheep-shearing machines starting and stopping; 29297; 21st March.
Clemett, A. D., Foxton, N.Z.	Crate; 29298; 21st March.
Broadbent, W., Foxton, N.Z.	Crate; 29298; 21st March.
Clemett, A. D., Foxton, N.Z.	Telephone-mouthpiece disinfectant; 29299; 21st March.
Broadbent, W., Foxton, N.Z.	Telephone-mouthpiece disinfectant; 29299; 21st March.
Parker, W. L., Christchurch, N.Z.	Rope-grip; 29300; 21st March.
Still, P., Wellington, N.Z.	Water-level; 29301; 21st March.
Storrie, A., Invercargill, N.Z.	Milking-machine*; 29302; 18th March.
Branton, T., Blenheim, N.Z.	Flax-scraping machine; 29303; 20th March.
Hewitt, H. H., London, Eng.	Mineral water, &c., manufacture; 29304; 22nd March.
United Shoe Machinery Company, Paterson, U.S.A. (<i>Hadaway, J. B., and Allen, J. V.</i>)	Boot-sole-edge operating-machine; 29305; 22nd March.
Millar, F. R., Melbourne, Vic.	Boiler-furnace; 29306; 22nd March.
Millar, F. R., Melbourne, Vic.	Furnace; 29307; 22nd March.
Forbes, A. J., Leigh Creek, N.Z.	Spraying apparatus; 29308; 22nd March.
Houghton, P. M. M., Essendon, Vic. (<i>Houghton, D. B.</i>)	Music-leaf turner*; 29309; 22nd March.
Fry, R. J., Kensington, Vic.	Ploughshare-manufacture*; 29310; 22nd March.
Morrow, J. W., Murrayville, Vic.	Fence, telegraph, &c., post*; 29311; 22nd March.
Edwards, B., Pinnaroo, S. Aust.	Fence, telegraph, &c., post*; 29311; 22nd March.
Attenborough, W., Auckland, N.Z.	Acetylene-generator; 29312; 21st March.
Alcock, F. A., Melbourne, Vic.	Billiard-table cushion-support*; 29313; 23rd March.
Young, C. E., Feilding, N.Z.	Telephone-disinfectant; 29314; 23rd March.
McKellar, C. G., Christchurch, N.Z.	Cycle rear-wheel fitting*; 29315; 22nd March.
Thompson, jun., C. E., Moutere, N.Z.	Case and filler*; 29316; 23rd March.
Harley, G., Moutere, N.Z.	Case and filler*; 29316; 23rd March.
Donald, J. W., Bunnythorpe, N.Z.	Milking-machine bucket; 29317; 23rd March.
King, A. T., Fairlie, N.Z.	Railway-car coupling; 29318; 23rd March.
Napier, W. C., Christchurch, N.Z.	Ship's-engine controller; 29319; 23rd March.
Kelly, G., Wanganui, N.Z.	Furniture, &c., polish; 29320; 24th March.
Holloway, F., Wanganui, N.Z.	Furniture, &c., polish; 29320; 24th March.
Wallis, T. F., Auckland, N.Z.	Wood-turnery; 29321; 24th March.
Bristow, C., Christchurch, N.Z.	Envelope or wrapper*; 29322; 24th March.
Moss, V. E., Westport, N.Z.	Linoleum-joint cover; 29323; 23rd March.
Andrews, F. H., Wellington, N.Z.	Gun-sight; 29324; 27th March.
Tong, J. W., Hawera, N.Z.	Concrete-mixing; 29325; 27th March.
Tong, J. W., Hawera, N.Z.	Wheel-barrow; 29326; 27th March.
Hainsworth, A. J., Wellington, N.Z.	Electrical heater; 29327; 27th March.
Aston, V. S., Gisborne, N.Z.	Clothes-holder to line; 29328; 25th March.
Geake, W. H. G., Sydney, N.S.W.	Shirt-manufacture*; 29329; 28th March.
Donald, P. G., London, Eng.	Elevator and conveyor*; 29330; 28th March.
Donald, B. I., London, Eng.	Elevator and conveyor*; 29330; 28th March.
Thaeter, E., Paddington, N.S.W.	Washing-board*; 29331; 28th March.
Godward, E. R. Invercargill, N.Z.	Belt-fastener; 29332; 27th March.
Budge, M. E., Christchurch, N.Z.	Broom; 29333; 27th March.

Budge, M. E., Christchurch, N.Z.	Children's knickers; 29334; 27th March.
Budge, M. E., Christchurch, N.Z.	Mouth-breathing in children prevention; 29335; 27th March.
Spicer, A., Christchurch, N.Z.	Telephone-cap; 29336; 28th March.
Swan, H., Dunedin, N.Z.	Gold-saving; 29337; 29th March.
Macfarlane, D. W., Dunedin, N.Z.	Gold-saving; 29337; 29th March.
Juriss, A., Oamaru, N.Z.	Train-stop; 29338; 28th March.
Anderson, C. F., Queenstown, Tas.	Acetylene generator and gasometer; 29339; 29th March.
Riley, A. H., Ponsonby, N.Z.	Tea can and infuser; 29340; 29th March.
Angus, A. R., Mosman, N.S.W.	Railway-running devices*; 29341; 12th May, 1910.†
Law, C. J., Balmain, N.S.W.	Speed-driving gear*; 29342; 29th March.
McGann, T., Mortlake, Vic.	Window-fastening; 29343; 29th March.
Pitts, R. G., Mortlake, Vic.	Window-fastening; 29343; 29th March.
United Shoe Machinery Company, Paterson, U.S.A. (Johnson, A. E.)	Boot-sewing machine; 29344; 29th March.

Complete Specifications filed after Provisionals.

LIST of complete specifications filed after provisional specifications from the 17th to the 30th March, 1911, inclusive:—

- No. 27767.—J. Leonard, game apparatus.
 No. 27783.—E. G. Sander and H. F. Mander, corrugated iron.
 No. 27888.—G. Gray, roller for agricultural implement.
 No. 27912.—J. B. Moir, garden-roller.
 No. 27913.—The Dominion Pressure Milking Machine Company, Limited, milking machinery. (R. A. Wiggins.)
 No. 27948.—H. J. McBeth and T. M. Taylor, stirrup-leather release.
 No. 27953.—C. O'Malley, street-sprinkler.
 No. 27958.—J. Milburn, cinematograph apparatus.
 No. 27972.—J. W. Fenton, rheumatism, &c., cure.
 No. 27973.—H. Quertier, electric-message transmission.
 No. 27987.—J. Paterson, water-heater and hot-air generator.
 No. 28006.—L. E. Hogbacka and W. B. Ingram, roller harrow.
 No. 28060.—United Shoe Machinery Company, dies for sheet-cutting material. (T. Lund.)
 No. 28112.—United Shoe Machinery Company, leather-cutting machine. (J. B. Hadaway.)
 No. 28465.—W. H. J. Ridley, iron and steel furnace.
 No. 28477.—G. H. Harper, level.
 No. 28555.—T. W. Parr, distillation-retort for resinous woods. (P. Brown.)
 No. 28556.—T. W. Parr, condenser. (P. Brown.)
 No. 28751.—F. Stubbs, closet-flush.
 No. 28754.—H. Veale, cow-milker. (W. Mehring.)
 No. 28780.—F. M. Field and D. A. Skene, stopping railway-trains.
 No. 29062.—E. Moss, clamping spare rim to motor-car rim.

Notice of Acceptance of Complete Specifications.

Patent Office,
Wellington, 5th April, 1911.

COMPLETE specifications relating to the under-mentioned applications for Letters Patent have been accepted, and are open to public inspection at this office. Any person may, at any time within two months from the date of this *Gazette*, give me notice in writing of opposition to the grant of any such patent. Such notice must set forth the particular grounds of objection, and be in duplicate. A fee of 10s. is payable thereon.

The copies of claims and extracts from the specifications and drawings are merely intended to give some further indication of the invention than is disclosed in the title, and the complete specifications and drawings should be referred to for a description of the invention.

No. 27454.—22nd March, 1910.—CARL NEFF, of 19 Georgstrasse, Hanover, Germany, Banker, and AUGUST BRANDES, of 8¹¹ Hildesheimerstrasse, Hanover aforesaid, Mechanic. Improvements relating to means for preventing the incrustation of steam-generators.

Claim.—Apparatus for the treatment of water, and more especially for the prevention of incrustation in boilers, consisting of an inclined metallic surface, such as aluminium, over which the water is caused to pass, preferably while exposed to light, substantially as described.

(Specification, 1s. 3d.)

No. 27670.—3rd May, 1910.—JAMES CHARLES PARKE KIRKWOOD, of 88 Willis Street, Wellington, New Zealand, Electrical Engineer. An improved method of heating water and other liquids by electricity.*

Extract from Specification.—According hereto, the underlying principle of the invention is to envelop or surround a suitable electrical heating element or medium by the water or other liquid of which the temperature thereof is to be raised. In carrying out the invention the electrical resistance or resistances comprising the said heating-element is suitably arranged within a vessel in which the said liquid is to be heated. The said element or medium is enclosed within a casing of desired shape and constructed of any suitable material. This casing is provided in order to prevent the contact of the liquid with the heating-element. The resistance or resistances comprising the electrical heating-medium is or are insulated from the casing in which it or they are protected in order to prevent short-circuiting. The casing is supported within the vessel in any desired manner.

[NOTE.—The above extract from the specification is inserted in place of the claims.]

(Specification, 3s. 6d.)

No. 27672.—4th May, 1910.—CHARLES SUTTIE, of Waiharoa, New Zealand, Flax-miller, and MONTAGUE HARRISON WYNYARD, of Auckland, New Zealand, Solicitor. Improvements in flax-dressing.*

Claims.—(1.) An apparatus for wringing washed hanks of flax by twisting them, consisting of the parts constructed, arranged, combined, and operating substantially as and for the purposes specified. (2.) In apparatus for the purpose indicated, a hook, a loose clutch to which such hook is attached, a driven clutch corresponding to such loose clutch, and a tension keeping such loose clutch normally out of gear with such driven clutch, substantially as and for the purposes described.

(Specification, 2s. 3d.)

No. 27680.—4th May, 1910.—HENRY THOMAS SHEPPEY, of 37 Edith Street, Leichhardt, Sydney, New South Wales, Australia, Manufacturing Chemist, and THOMAS TIMOTHY BOYLE, of 27 Margaret Street, Petersham, Sydney aforesaid, Retired Butcher. An improved dry process for preserving meat, fish, game, and like alimentary subjects.*

Claims.—(1.) Improved dry process for the preserving of meat, poultry, fish, game, and like alimentary subjects, consisting of or involved in the fumigation of the subjects in a suitably closed chamber, and the subsequent treatment by chilled dry pure air in another closed chamber, substantially as described and explained. (2.) The fumigating operation in a suitable closed chamber for the preserving of meat, poultry, fish, game, and the like alimentary subjects, substantially as described and explained.

[NOTE.—Here follow four other claims.]

(Specification, 7s.)

No. 27759.—18th May, 1910.—JOHN JOSEPH KEPPEL, of Dunedin, New Zealand, Flax-miller. Improved apparatus for washing stripped flax.*

Claim.—Apparatus for washing stripped flax comprising the combination with a conveyor-belt having stripped flax suspended therefrom, of a suitably supported pipe through which said belt may run with the looped ends of the flax, said pipe having a longitudinal slot cut in its under-surface sufficient for the flax tails to pass, and means for supplying water under pressure to said pipe, substantially as and for the purposes set forth.

(Specification, 2s.)

No. 27868.—10th June, 1910.—JOHN DILLICAR, of Taneatua, New Zealand, Farmer. An improved method of ear-marking animals, and enumerating-indicator for same.*

Claims.—(1.) The improved method of ear-marking animals described. (2.) An indicator apparatus consisting of the discs rotatably mounted in a frame and having rings of numerals and ear-markings, the frame having openings through which said numerals and markings are visible, substantially as specified, and illustrated in the drawing. (3.) In indicating-apparatus of the nature indicated, the employment of a rotatable disc having a ring of numerals and a concentric ring of markings representing the different notching of the ears of animals, substantially as specified. (4.) In indicating-apparatus, the employment of the frame having openings located and arranged relatively to each other to represent the eyes and ears of an animal, substantially as specified and illustrated.

(Specification, 4s. 3d.)

No. 27870.—10th June, 1910.—JOHN SORLEY, of Feilding, New Zealand, Medical Practitioner. An improved composition for the destruction of insects.*

Claims.—(1.) A composition for the destruction of insects consisting in a combination of xylene with a soft paraffin and sulphur, mixed with a solution of soft-soap and water. (2.) A composition for the destruction of insects consisting in a mixture of xylene, soft paraffin, and sulphur in the relative quantities set forth, mixed with a solution of soft-soap and water in the approximate proportions specified.

(Specification, 1s. 3d.)

No. 27876.—9th June, 1910.—ERNEST WEBBER, of Dunedin, New Zealand, Engraver. An adjustable metal mount for printing-blocks.*

Claims.—(1.) In supports for printing-block, stereotype, and the like, a telescopic adjustable mount, substantially as set forth.

[NOTE.—Here follow three other claims.]

(Specification, 3s.)

No. 27881.—11th June, 1910.—GEORGE WILLIAM PENNEY, of Dunedin, New Zealand, Fellmonger. Improved branding-apparatus.*

Claims.—(1.) An improved branding-apparatus of the class described, the provision, in combination with a stirrup-shaped handle, of a die having a series of serrations cut thereon forming a particular character, name, letter, or mark and having a variation in the number of said serrations, a channel connecting a hollow die with the point of the serrated edges forming characters, enabling tattooing-fluid to flow into the cut or puncture when made for marking purposes, substantially as described.

[NOTE.—Here follow two other claims.]

(Specification, 2s. 3d.)

No. 27898.—14th June, 1910.—CECIL VICTOR WOODFIELD, of Coutts Island, Kaiapoi, New Zealand, Farmer. An acetylene-generator.*

Extract from Specification.—Comprises, briefly, two water-vessels placed one above the other with a pipe connecting the bottom of the upper to the bottom of the lower of such vessels. The gas when generated collects in the upper portion of the

lower vessel, displacing by its pressure a certain amount of the water contained therein, the latter rising through the pipe into the upper vessel as required. The gas is generated in a separate vessel or vessels, and is led into the said lower vessel by means of a pipe entering such lower vessel near the top, while the water required to effect the generation of the gas is supplied through an opening arranged below.

[NOTE.—The above extract from the specification is inserted in place of the claims.]

(Specification, 5s. 9d.)

No. 27902.—14th June, 1910.—EDWIN DANIEL BERRY, of Ferguson and Ashley Streets, Palmerston North, New Zealand, Mechanical Engineer. Improvements in the utilization of exhaust steam or hot gases from steam-engines and the like for heating water or other liquids.*

Claims.—(1.) In means for utilizing exhaust steam or hot gases for heating liquids comprising, in combination, two expansion-boxes, connected by means of tubes and tube-plates, the said expansion-boxes having inlet-pipe downwards and outlet-pipe upwards, and drainpipe from lowest point, substantially as specified.

[NOTE.—Here follow two other claims.]

(Specification, 2s. 6d.)

No. 27968.—22nd June, 1910.—WALTER WILLIAM GAIGER, of Timaru, New Zealand, Millowner. Improved concave strip for threshing-mill.*

Claims.—(1.) An article of the class described, consisting of a strip of metal comprising two members, said strips being adapted to be secured one upon each of the main bars of the concave with its members one on either side of said bar so as to project inwardly towards the drum in order that each of said strips may provide two working-corners, while the construction is such that the said strip may be turned round upon the bar so as to bring its two remaining corners into requisition when desired, substantially as and for the purpose set forth.

[NOTE.—Here follow two other claims.]

(Specification, 2s. 6d.)

No. 28060.—12th July, 1910.—UNITED SHOE MACHINERY COMPANY, of Paterson, in the State of New Jersey, United States of America, a corporation duly organized under the laws of said State of New Jersey, carrying on business as Shoemachinery Manufacturers, and having a place of business at 205 Lincoln Street, Boston, in the Commonwealth of Massachusetts, in said United States of America (assignees of Thomas Lund, of Beverly, in the County of Essex and said Commonwealth of Massachusetts, Foreman). Improvements in or relating to dies for cutting sheet material.*

Claims.—(1.) A die for cutting sheet material having located within its cutting-outline, for the purpose of marking the blank, a tracer that is adjustable towards or from one of the sides of the die.

[NOTE.—Here follow sixteen other claims.]

(Specification, 16s. 3d.)

No. 28061.—12th July, 1910.—UNITED SHOE MACHINERY COMPANY, of Paterson, in the State of New Jersey, United States of America, a corporation duly organized under the laws of said State of New Jersey, carrying on business as Shoemachinery Manufacturers, and having a place of business at 205 Lincoln Street, Boston, in the Commonwealth of Massachusetts, in said United States of America (assignees of Thomas Lund, of Beverly, in the County of Essex, Massachusetts, Foreman). Improvements in or relating to methods of and machines for manufacturing top-lifts and the like.*

Claims.—(1.) In a machine for applying pressure to top-lifts, the combination of means for moulding the peripheral surface of a lift, means for moulding the outer or grain side of the lift, and means having a plane face for moulding the flesh side of the lift, said latter face being formed to overlap the edge of the lift. (2.) In a machine for compressing heel-lifts, means for moulding the peripheral surface of a lift formed

to provide a downwardly flaring portion at the bottom of the mould-cavity and constituting a mould having its greatest dimension at its bottom, and a member constructed to form the bottom of said cavity and apply pressure to the flesh side of the lift engaged by it and arranged for movement into an inoperative position wherein the lift may be discharged downwardly from the cavity, said member having a plane acting face formed to overlap said means in the operative position of the member.

[NOTE.—Here follow twenty-seven other claims.]

(Specification, £1 6s. 3d.)

No. 28107.—19th July, 1910.—UNITED SHOE MACHINERY COMPANY, of Paterson, in the State of New Jersey, United States of America, a corporation duly organized under the laws of said State of New Jersey, carrying on business as Shoemachinery Manufacturers, and having a place of business at 205 Lincoln Street, Boston, in the Commonwealth of Massachusetts, in said United States of America (assignees of Frederic Eli Bertrand, of Swampscott, Massachusetts aforesaid, Inventor). Improvements in or relating to machines for operating upon soles of boots and shoes.*

Claims.—(1.) For a channelling-machine provided with sole-feeding mechanism and a sole-edge gauge, the arrangement that, for the purpose of relieving pressure on the gauge during successive operations of said mechanism, the latter and the gauge are constructed and arranged to permit a relative movement of the sole and gauge away from each other across the line of feed in the operation of the machine as the shape of the sole may require. (2.) For a channelling-machine having a cutter and an edge-gauge both reciprocating in the direction of feed, the provision of automatically acting means, such that during the cutting-stroke of the cutter the said gauge and the sole may move, for the purpose described and as required by the shape of the sole, relatively away from one another across the line of feed.

[NOTE.—Here follow eleven other claims.]

(Specification, £1 7s. 3d.)

No. 28451.—16th September, 1910.—EDMUND SCOTT GUSTAVE REES, Managing Director of the Rees Roturbo Manufacturing Company, Limited, of Wednesfield Road, Wolverhampton, Stafford, England. Improvements in ejectors, condensers, and air-pumps or compressors.

Extract from Specification.—According to the present invention, a maximum entraining surface is obtained by so subdividing the streams that they impinge on each other to form a fanlike sheet or sheets of water, such sheets being also at the same time and by the same means sprayed or subdivided. These sheets of water, of which preferably there are several converging towards each other so as to form with the entrained gases a compound or laminated sheet, are directed into the narrow elongated inlet or inlets of an expanding passage or passages in which the pressure of the water and the entrained gases is raised to the pressure of discharge. The invention may be applied either, as shown in Figs. 1 to 5 of the drawings, to a stationary apparatus in which velocity is imparted to the water in suitably directed nozzles to which the water is delivered under pressure, or the streams of water may be produced by a rotary apparatus as shown in Figs. 6-8, preferably a centrifugal pump such as described by me in previous British and other patent specifications.

[NOTE.—The above extract from the specification is inserted in place of the claims.]

(Specification, 7s. 3d.)

No. 28724.—11th November, 1910.—CHARLES THOMAS SWANELL, of 30 Cuba Street, Wellington, New Zealand, Engineer. Improvements in smoke-consuming apparatus.*

Extract from Specification.—A skeleton bridge of the desired form is provided with an air-admitting opening or openings in the bottom thereof. Above the skeleton bridge a chamber or chambers is or are placed, the interior of said chambers being in open communication with the air-admitting opening or openings in said bridge. Means are provided for admitting steam under pressure to the said chamber or chambers in order to cause a forced draught of air into the chambers, and means for regulating the same.

[NOTE.—The above extract from the specification is inserted in place of the claims.]

(Specification, 7s.)

No. 28917.—30th December, 1909.—LOUIS LUMIÈRE, of 262 Cours Gambetta, Lyons, France, Manufacturer. Improvements in acoustical instruments.

Claims.—(1.) A sound-box for talking-machines comprising a stationary wall, and a movable wall capable of approaching and receding from the stationary wall, and means so disposed between the two walls as to complete the chamber of the sound-box, but allow the whole of the movable wall to move freely in substantially unchanged form and to any extent which may be practically required, and offer equally little resistance to the movements of the movable wall whatever the position of the latter with regard to the stationary wall, so that the position and movements of the movable wall are regulated entirely by the sound-waves or other means through which the movable wall is reciprocated.

[NOTE.—Here follow three other claims.]

(Specification, 5s. 6d.)

No. 28940.—6th January, 1910.—LOUIS LUMIÈRE, of 262 Cours Gambetta, Lyons, France, Manufacturer. Improvements in acoustical instruments.

Extract from Specification.—This invention relates to improvements in acoustical instruments, and is an extension of my invention as described in Specification No. 28917, of 22nd day of December, 1910, in reference to the sound-boxes of talking-machines. I now find that my invention can be usefully applied in the construction of the sound-boxes of acoustical instruments such as telephones, microphones, stethoscopes, musical instruments, and in general any instrument used for the reception or transmission of sounds, and consists in certain construction of sound-box for such instrument, the details of which will be given.

[NOTE.—The above extract from the specification is inserted in place of the claims.]

(Specification, 7s. 3d.)

No. 28963.—23rd December, 1910.—THOMAS MARTIN SANDFORD, of Masterton, New Zealand, Gasfitter. Improvements in apparatus for lighting and extinguishing gas-lamps.*

Claims.—(1.) In apparatus of the kind described, the combination of an outer chamber, a gas-chamber within said chamber, a bell top to said gas-chamber operable by the pressure of gas within said gas-chamber, with means for admitting or shutting off gas from said gas-chamber to the lamp when said means are operated by the fall of said bell top due to reduced pressure, as set forth. (2.) In apparatus of the kind described, the combination of an outer chamber, a gas-chamber within said outer chamber, a movable bell top to said gas-chamber operable by increased pressure in said gas-chamber, means for guiding and limiting the rise of said bell top, a drum arranged in said gas-chamber, an opening in the lower periphery of said drum communicating with the pipe leading to the lamp, another opening in said drum communicating with the gas-chamber, another drum within said first drum, by-pass openings in the periphery of said inner drum in line with the openings in the outer drum, and means for operating the drum by the rising of the bell top, as set forth.

[NOTE.—Here follow seven other claims.]

(Specification, 8s. 3d.)

No. 29086.—1st February, 1910.—LOUIS LUMIÈRE, of 262 Cours Gambetta, Lyons, France, Manufacturer. Improvements in acoustical instruments.

Claims.—(1.) A sound-box for acoustical instruments comprising a stationary wall, and a light and rigid movable wall, formed of metal dished or corrugated in any suitable manner, and capable of approaching and receding from the stationary wall, and means so disposed between the two walls as to complete the chamber of the sound-box, but allow the whole of the movable wall to move freely in substantially unchanged form and to any extent which may be practically required, and offer equally little resistance to the movements of the movable wall whatever the position of the latter with regard to the stationary wall, so that the position and movements of the movable wall are regulated entirely by the sound-waves or other means through which the movable wall is reciprocated.

[NOTE.—Here follows one other claim.]

(Specification, 8s.)

No. 29087.—3rd March, 1910.†—LOUIS LUMIÈRE, of 262 Cours Gambetta, Lyons, France, Manufacturer. Improvements in acoustical instruments.

Claim.—A sound-box for acoustical instruments comprising a movable wall and a stationary wall, in which the inner face of the movable wall bears such a form in relation to the inner face of the stationary wall that the surfaces of successive sections taken concentrically with the delivery-orifice of the sound-box between the inner faces of the two walls are substantially equal, so that the instantaneous pressure of the air at all points of the surface of the movable wall is substantially uniform.

(Specification, 2s. 6d.)

No. 29091.—2nd February, 1911.—CHARLES HONOUR, of 1524 Sixth Avenue, New Westminster, British Columbia, Canada, Engineer. Can-containing and pouring vessels.

Extract from Specification.—This invention relates to a containing-vessel within which a can of condensed milk or cream or other liquid sealed in a can may be placed for use on the table, the containing-vessel being provided with sealing-valves by which the pouring and venting apertures in the can are sealed when not in use, and with a handle and spout for convenience in pouring.

[NOTE.—The above extract from the specification is inserted in place of the claims.]

(Specification, 5s. 3d.)

No. 29164.—23rd February, 1911.—FRANCIS HAROLD DOWDEN, of Nireaha, Wellington, New Zealand, General Store Manager. An improved composition of matter and container for closing punctures in pneumatic tires.

Claims.—(2.) For the purpose indicated, a composition of matter consisting of matai-juice, flour, and water, substantially as set forth. . . . (4.) For the purpose indicated, the collapsible container having its neck screwed internally to fit the nipple of a pneumatic tire, and a stopper adapted to fit the said neck, substantially as set forth.

(Specification, 1s. 6d.)

No. 29182.—25th February, 1911.—CECIL GEORGE MCKELLAR, Assoc. Mech. Eng., of Christchurch, New Zealand, Civil Engineer. Improvements in and relating to the rear-wheel fittings of cycle-frames.

Extract from Specification.—A pair of plates which are adapted to be secured to the rearward extremities of the tubing forming the back forks of the cycle, such plates being each provided with the usual slot to receive the axle of the wheel and allow of sufficient movement for chain-adjustment purposes, while upon the inner surface of such plates, at a point above the slot, is formed an inwardly projecting ridge which is adapted to rest upon the outer end of the bearing-cone or upon a fitting mounted upon such cone. In order to provide for their attachment to the forks, the forward ends of such plates are formed into shanks adapted to fit within the tubing, special means being employed to secure such shanks in place during the brazing of the joints.

[NOTE.—The above extract from the specification is inserted in place of the claims.]

(Specification, 5s. 9d.)

No. 29185.—27th February, 1911.—JOSEPH FREDERICK WATERHOUSE LYONS, of 31 Glasgow Street, South Dunedin, New Zealand. Improvements in hat-pins.

Claim.—For the purpose indicated, a hat-pin pointed at both ends and having a circumferential groove near each point, and a removable spring-protector upon each end of the pin and engaging the groove thereof, as set forth.

(Specification, 1s. 6d.)

No. 29190.—1st March, 1911.—ENOCH STEVES MILLER, of 117 Harvey Street, New Westminster, British Columbia, Canada, Accountant. Street-car fenders.

Claims.—(1.) In a car-fender, a net-carrying frame the vertical side members of which are pivotally mounted on the front end of the car, and means for imparting a rotational movement to such vertical side members by connections from the adjacent car-truck frame on a transverse line through

the axis of the pivot on which the car-truck moves on taking a curve. (2.) In a car-fender, a net-supporting frame so connected to the front end of the car that the front end of the fender may be laterally swung to one side or the other by connection to the adjacent truck on which the car is carried, means for supporting the fender with its front rail clear of the track in a manner that it will yield backward and downward to the track-level on engagement with an obstacle, and means for lowering said front rail to the track-level by the application of the foot when required.

[NOTE.—Here follows one other claim.]

(Specification, 7s. 3d.)

No. 29192.—7th March, 1910.†—SIDNEY ADOLPH HORSTMANN, of 10 Norfolk Crescent, Bath, England, Engineer. Spring wheel for road-vehicles.

Extract from Specification.—According to my invention, I employ spokes which are incompressible or nearly so in the direction of their length, but are capable of deflection, and act as springs only in a direction at right angles to the plane of the wheel. The inner ends of these spring spokes are attached rigidly to the hub—either in two flanges on the hub, or to a single flange, or in a single row (in which case they must alternately be bent out to one side and the other of the plane of the wheel). The outer extremities of the spokes are attached by short jointed or flexible connecting-means (making an angle to the spoke) to the rim in such a manner that pressure upon the rim causes the spokes to be deflected in a direction at right angles to the plane of the wheel. By this means I am able to obtain long springs of great strength, which are only subjected to a very small proportional deflection, so that the elasticity of the springs is not easily impaired.

[NOTE.—The above extract from the specification is inserted in place of the claims.]

(Specification, £1.)

No. 29193.—1st March, 1911.—EDWARD CASPAR, of Invercargill, New Zealand, Engine-driver. An improved lime-kiln.

Extract from Specification.—The invention consists, broadly, in providing the bottom portion of the wall of the kiln with a number of separate passages opening out through the wall and extending down to the bottom of the kiln. The openings into these passages are covered by gratings, and are situated below the fire-level of the kiln. The kiln is charged with the limestone in such a manner that the large stones are arranged down its centre, while the medium-sized material is arranged concentrically around them, and then the fine material around the medium and inside the wall of the kiln. To provide for this arrangement of the charge a pair of cylinders of different diameters are arranged one within the other so as to form an annular space between. These cylinders are lowered together into the top of the kiln, and the larger cylinder is made of such a size as to leave a clear annular space between it and the kiln-wall. Thus three chambers are formed, an inner circular chamber and two concentric chambers around it, to receive respectively the three different grades of material. The upper end of the kiln is covered over, and the cover is provided with chambers built thereon to receive the crushed limestone. These chambers are provided with flue-passages extending up through them, and serving to convey the heat given off from the kiln beneath so that such heat will act on the limestone in the required manner to convert it into the carbonate of lime.

[NOTE.—The above extract from the specification is inserted in place of the claims.]

(Specification, 6s. 3d.)

No. 29196.—1st March, 1911.—FRITZ DEIMEL, of 8 Luisenufer, Berlin, S. 42, Germany, Manufacturer. An igniter acting through a spark produced by friction.

Extract from Specification.—My igniter comprises a pyrophorous body—i.e., a so-called sparker—and a scraper arranged movable relatively to one another outside a receptacle which contains the combustible, and is normally closed by a hinged cover, and the apparatus for producing sparks is constructed in a very advantageous manner, inasmuch as a part of the same—e.g., the scraper—is attached to one end of a spring which automatically returns the scraper into its normal position, the other end of the spring being attached securely to the receptacle.

[NOTE.—The above extract from the specification is inserted in place of the claims.]

(Specification, 2s.)

No. 29198.—1st March, 1911.—JAMES JOHNSON SHUTTLEWORTH, of "Lauriston," Parramatta Road, Ryde, near Sydney, New South Wales, Australia, Architect. Improved means for obtaining novel artistic effects in pictures and geometrical or other designs.

Extract from Specification.—The invention essentially consists, firstly, in the selection of glass with roughened and smooth surfaces, of a pattern suitable to obtain the desired novel effect, and its combination with a transparency applied to the smooth side only, and its disposal in a sash, frame, or the like; and, secondly, in the selection, arrangement, and disposal, within a frame, of a number of sheets of glass of suitable kind and colour, between which is placed the picture, print, design, or transparency, the number of sheets of the same or of different kinds of glass being regulated according to the effect which it is desired to produce.

[NOTE.—The above extract from the specification is inserted in place of the claims.]

(Specification, 6s. 9d.)

No. 29211.—28th February, 1911.—THOMAS HENRY LINDELEY, Physician, of 123 North 16th Street, Cedar Rapids, State of Iowa, and HERMAN SCHREIER, Maltster, of 524 Ontario Avenue, Sheboygan, State of Wisconsin, both in the United States of America. Rotary engine.

Claims.—(1.) A rotary engine, including a casing with spaced cylindrical chambers, rotating discs therein, cams extending from the discs in opposite directions and in engagement with the walls of the casing, fluid-inlets opening into pockets in the wall of the chambers, gates pivotally mounted near said inlets and adapted to be seated in said pockets by impact of said cams to cut off the fluid, means for guiding and limiting the movement of the gates, said means including studs projecting from the gates into arched recesses of adjacent casing-walls, substantially as described.

[NOTE.—Here follow four other claims.]

(Specification, 4s. 9d.)

No. 29213.—3rd March, 1911.—MATTHEW JOHN HIGGINS, of 328 Victoria Street, North Melbourne, Victoria, Australia, Mechanic. Improved apparatus for starting horse-races.

Claims.—(1.) Improved apparatus for starting horse-races comprising two pairs of posts on each side of the course, the advance longer pair being wider apart than the shorter pair, and a practically continuous elastic-cord arrangement secured to the top of one of the advance posts and adapted to be stretched across the course, and thence drawn downwardly, and temporarily retained on the shorter pair of posts to form a barrier-portion, all for the purpose specified.

[NOTE.—Here follow four other claims.]

(Specification, 3s. 6d.)

No. 29215.—3rd March, 1911.—RALPH COLLINS and ROBERT HARRY WILSON, both of New Plymouth, Taranaki, New Zealand, Settlers. Improvements in milking-machines.

Claims.—(1.) In milking-machines of the class described, in combination, a pair of pulsators arranged in parallel, a vacuum pump arranged between the said pulsators, the said pulsators and vacuum pump being connected to a common cross-head, a pipe communicating with the forward and rear ends of the vacuum pump and communicating with the vacuum tank arranged within the frame upon which the pulsators and pump are mounted, substantially as set forth. . . . (5.) In milking-machines of the class described, a teat-cup comprising an outer casing, a ring at the top and bottom of the said casing respectively, a rubber tube having its end turned over the said rings, means for securing the top ring in position, and a spring within the casing in compression between the top and bottom rings in order to retain the rubber tube in position, substantially as set forth.

[NOTE.—Here follow one other claim.]

(Specification, 7s.)

No. 29218.—10th March, 1910.—NLS TESTRUP, of 6 Broad Street Place, London E.C., England, Gentleman. Improvements in and relating to the wet carbonizing of peat.

Claims.—(1.) A regenerative process for wet carbonizing peat in which the material is initially heated to 180° C., or

thereabouts, and in which the carbonization is then allowed to proceed without substantial further addition of heat by utilizing the heat evolved by reaction within the mass, substantially as and for the purpose described.

[NOTE.—Here follow three other claims.]

(Specification, 7s.)

No. 29223.—6th March, 1911.—ROBERT WLADISLAS DE MONTALK, of Victoria Arcade, Auckland, New Zealand Architect. Improvements in building-construction.

Extract from Specification.—According to my present invention, the boards, which may be used for walls, roofs, or floors, are integrally formed with the stud or part of the stud, rafter, or joist.

[NOTE.—The above extract from the specification is inserted in place of the claims.]

(Specification, 2s. 9d.)

No. 29224.—7th March, 1911.—CHRISTIAN VALDEMAR HENRICHSEN, of 134 Borgergade, Copenhagen, Denmark, Mechanical Engineer. Reversing-device for pneumatic-milking pulsators.

Claims.—(1.) In a pulsator-reversing device for pneumatic milking, forming the wall or walls which cut off at predetermined times the pneumatic motive power passage or passages, of a soft material, moved from one or a number of sides or in an axial direction into the path of the pneumatic motive power, for the purpose set forth.

[NOTE.—Here follow two other claims.]

(Specification, 6s.)

No. 29227.—2nd March, 1911.—JOHN WILLIAM GUNN, of Waikaiti, New Zealand, Dredge Hand. Improved hat-pin-point protector.

Claims.—(1.) A hat-pin-point protector, comprising a body-portion, a locking-arm pivoted to one end of said body, and a stop at the other end of said body, substantially as and for the purpose set forth. (2.) A hat-pin-point protector comprising a body-portion, a locking-arm pivoted to the open end of said body, a stop at the other end of said body, and a spring piece projecting from said other end towards said open end, substantially as and for the purpose set forth.

[NOTE.—Here follow two other claims.]

(Specification, 2s.)

No. 29228.—4th March, 1911.—McELROY-SHEPHERD COMPANY, a corporation organized under the laws of the State of New York, and doing business at Whitestone, Long Island, State of New York, United States of America (assignees of Carl E. Akeley, of Chicago, Illinois, United States of America). Process and apparatus for mixing and applying concrete.

Claims.—(1.) The method of mixing and applying hydraulic cement concrete which consists in projecting the dry materials, forcibly, into the position which they are to occupy permanently on the finished structure, and simultaneously projecting water at the same point. . . . (10.) In apparatus for mixing the ingredients of hydraulic cement while in transit and applying them by forcible projection, the combination of a receptacle for dry material, a mixing-nozzle connected with said receptacle, a separate liquid-supply connection with said nozzle, and means for producing a current of air through the connection between said receptacle and nozzle. . . . (20.) In an apparatus substantially as described, a single conduit or nozzle with two conduits leading into the single conduit, in combination with means to supply comminuted material mixed with air under pressure to one conduit and liquid under pressure to the other, the ingredients meeting in the common nozzle.

[NOTE.—Here follow four other claims.]

(Specification, £1 2s. 6d.)

No. 29276.—21st February, 1911.—WILLIAM ISAIAS ASTON, Dealer, and ELLEN ALMA VIOLETTA ASTON, Domestic Duties, both of Upper Riccarton, Christchurch, New Zealand. Improvements in pneumatic cushions for bicycle-saddles.

Claims.—(1.) A pneumatic cover for bicycles having a socket or pocket fitting over the front point of the saddle, substantially as set forth. (2.) A pneumatic tube for bicycle-saddles consisting of a length of tubing forming an approximately triangular shape when folded upon itself, substantially as set forth.

[NOTE.—Here follow two other claims.]

(Specification, 1s. 9d.)

No. 29310.—22nd March, 1911.—RICHARD JOHN FRY, of 70 Hardiman Street, Kensington, Victoria, Australia, Manufacturer. An improved method of and apparatus for manufacturing ploughshares.

Extracts from Specification.—The improved method is carried into practical effect by shaping a piece of flat sheet metal to correspond with a template made to suit the particular kind or pattern of share to be manufactured. The blank piece of metal thus prepared is heated in a furnace or fire, and that portion intended to constitute the land side of the share is then curved or bent outwardly until such curved or bent portion forms a suitable angle with that part of the metal intended to form the wing of the share. The apparatus I have devised for carrying the above-mentioned method into effect consists of a suitably constructed framework having a flat-top surface or table. A powerful press-hammer is adapted to reciprocate longitudinally on said table, and is actuated by a cam and lever movement situated within the framing and operated from a convenient source of power. The top of this press-hammer is flat or of other approved shape, and its ends are provided with approved means for attaching dies of suitable shape and size to give the heated blanks the desired formations in correct sequence to form shares of the required type.

[NOTE.—The above extracts from the specification are inserted in place of the claims.]

(Specification, 17s. 6d.)

Copies of drawings may be obtained at the uniform price of 1s. each. In exceptional cases this price may be increased at the discretion of the Office.

An asterisk (*) denotes the complete specification of an invention for which a provisional specification has been already lodged. A dagger (†) denotes a prior date under the International and Intercolonial Arrangements.

NOTE.—The cost of copying the specification has been inserted after the notice of each application. An order for a copy or copies should be accompanied by a post-office order or postal note for the cost of copying.

The date of acceptance of each application is given after the number.

Extracts from the drawings accompanying the foregoing complete specifications appear at the end of this *Gazette*.

J. C. LEWIS,
Registrar.

Provisional Specifications accepted.

Patent Office,
Wellington, 31st March, 1911.

APPLICATIONS for Letters Patent, with provisional specifications, have been accepted as under:—

- No. 28091.—G. G. Holmes, dredge bucket or grab.
- No. 28908.—G. W. Penney, fencing-dropper.
- No. 29021.—W. Aitken and H. F. Marsh, threshing, riddling, and bagging machine.
- No. 29116.—A. P. Cowie, safety-hook.
- No. 29133.—G. Lauchlan, electric water-heater.
- No. 29134.—M. O. Kreissig, show-case.
- No. 29137.—E. Cowling, hair-frame.

No. 29138.—J. J. Cooper, holding cow's tail during milking.

No. 29141.—J. Ridge, non-refillable bottle.
No. 29143.—H. A. Fry, acetylene-generator.
No. 29144.—C. Brock, ship-steering apparatus.
No. 29146.—E. W. Griffiths, book-marker and advertising-medium.

No. 29160.—E. D. V. Gilbert, milking-machine bucket.
No. 29163.—C. F. Lungley, steel, &c., preservation compound.

No. 29165.—J. Wylie, tea infuser and strainer. (J. and R. Wylie.)

No. 29168.—G. W. Hutchinson, internal-combustion-engine sparking-regulator.

No. 29170.—F. Andrews, lowering-device for use in cellars.
No. 29173.—C. S. McFarlane, gas-production from hydrocarbon oils.

No. 29174.—C. Clegg, lifting-jack.
No. 29175.—W. Deards, fire-lighter, &c.

No. 29176.—E. D. Berry, skim-milk, &c., pasteurization.
No. 29178.—J. H. Graham, tramway-points operating.

No. 29179.—S. Lawrence, child's cot.
No. 29180.—E. P. E. Liardet and C. H. Bengel, hat-pin safety-shield.

No. 29184.—W. H. Anderson, cinematograph fan or shutter.

No. 29186.—C. Anketell, chaff-cutter feeding-appliance.
No. 29197.—Scott Bros. (Limited), gas-production. (J. L. and G. Scott.)

No. 29206.—W. Lingard, pneumatic stand or seat.
No. 29207.—H. R. Carey, device for use in construction of fire-bridge.

No. 29209.—L. G. Reeves, pyjama trousers.
No. 29210.—A. C. Baird, turbine.

No. 29216.—E. Moss, electric circuit two-way switch.
No. 29217.—F. A. W. Ansell, bath and stand.

No. 29220.—W. H. Piper, E. A. Copley, and T. H. Davies, tire-shield.

No. 29231.—E. P. Crowe, post-base block.
No. 29235.—W. C. Joel, gas-sign flashing.

No. 29246.—T. S. Gurr and R. J. Hobbs, railway-signaling apparatus.

No. 29255.—W. Garlick, coin-freed towel-storing apparatus.

No. 29267.—R. H. Bartlett, teat-cup.
No. 29285.—E. Casper, lime-kiln.

No. 29290.—W. Turnbull, flushing-valve.
No. 29292.—A. Juriss, rudder Y joint.

No. 29296.—R. Davy, F. Davy, J. D. Mackenzie, and C. S. Bertram, gold-extraction.

No. 29304.—H. H. Hewitt, mineral-water manufacture.
No. 29305.—United Shoe Machinery Company, boot-sole-edge operating-machine. (J. B. Hadaway and J. V. Allen.)

No. 29308.—A. J. Forbes, spraying-apparatus.
No. 29318.—A. T. King, railway-car coupling.

No. 29321.—T. F. Wallis, square turnery.

[NOTE.—Provisional specifications cannot be inspected, or their contents made known by this office in any way, until the complete specifications in connection therewith have been accepted.]

Letters Patent sealed.

LIST of Letters Patent sealed from the 14th to the 17th March, 1911, inclusive:—

- No. 26501.—A. W. Schaefer, aeroplane.
- No. 26776.—C. Suttie and M. H. Wynyard, tow-saving.
- No. 26968.—F. C. Thompson, venetian blind.
- No. 26984.—A. T. Scott, box.
- No. 26988.—H. C. Gore, letter ornamenting on glass.
- No. 26994.—A. Macpherson, generation and storage of carburetted petrol, &c.
- No. 26995.—W. J. Hammill and W. H. Murray, boot and shoe toe-puff.
- No. 26998.—T. V. Brejcha, production of bore holes with independent supports without tubes.
- No. 27000.—A. Clegg, W. Rainbow, and F. Clark, advertising-device.
- No. 27041.—T. Jackson, scrub-cutting machine.
- No. 27119.—J. E. Metzenthin, milking-machine pulsator.
- No. 21161.—F. Doherty and W. J. Robbins, pneumatic tire.
- No. 27931.—W. J. Philips, aerated-water bottler and syrup-pump.
- No. 28716.—T. McClelland, jun., water-heating by electricity.
- No. 28767.—W. A. O. Schrueth and W. R. Mackay, coin-operated delivery-machine.

Letters Patent on which Fees have been paid.

[NOTE.—The dates are those of the payments.]

SECOND-TERM FEES.

- NO. 22598.—E. S. G. Reeves, rotary pump. 20th March.
 No. 22671.—G. D. Ross, vehicle-wheel. 29th March.
 No. 22700.—W. H. Blackham, milking-machine teat-cup. 29th March.
 No. 22785.—G. Johnston, railway-coupling. 30th March.
 No. 22880.—S. T. Beattie and W. J. Chapman, method of marking race competitors. 22nd March.

THIRD-TERM FEES.

- No. 17739.—Henry R. Worthington, centrifugal pump. (F. Ray.) 22nd March.

Subsequent Proprietor of Letters Patent registered.

[NOTE.—The name of the former proprietor is given in brackets; the date is that of registration.]

- NO. 28260.—Joseph Hopkirk, of Hawera, Taranaki, New Zealand, Engineer, registered as proprietor of a two-thirds share. Forced draught for steam-boiler. (A. H. Hansen.) 29th March, 1911.

Applications for Letters Patent abandoned.

LIST of applications, with which provisional specifications only have been filed, abandoned (*i.e.*, complete specifications not lodged) from the 17th to the 30th March, 1911, inclusive:—

- No. 27717.—T. E. Sapwell, grain, &c., weighing machine.
 No. 27742.—E. H. Whitmore, bottle.
 No. 27745.—W. Seifert, flax-catching apparatus.
 No. 27746.—W. Seifert, flax-catching apparatus.
 No. 27751.—E. N. Davies, protective coating for water-meters.
 No. 27754.—R. McGaffin, flax-catcher chute or funnel.
 No. 27764.—J. D. McLaurin and A. McLaurin, rain-water tank.
 No. 27769.—D. Lundy, windmill.
 No. 27770.—G. M. Allen, preserving-apparatus, &c.
 No. 27774.—F. Whaley, excavator, &c.
 No. 27775.—J. Liggins, flax-scutcher.
 No. 27776.—H. J. Davidson, ladder.
 No. 27780.—R. Richards, swivel-block for ferry-punt.
 No. 27782.—W. Buhmann, brooch-fastening.
 No. 27794.—T. H. Davey, head-light for locomotive, &c.
 No. 27795.—J. E. Burns, fire-guard.
 No. 27796.—G. P. Hewlett, hat-pin.
 No. 27807.—R. Dunne, paper holder and deliverer.
 No. 27819.—A. M. Long, weed-destroying fluid.

Applications for Letters Patent void.

APPLICATIONS for Letters Patent, with which complete specifications have been lodged, void owing to non-acceptance of such complete specifications, from the 17th to the 30th March, 1911, inclusive:—

- No. 27074.—T. Trott, sewing-machine.
 No. 27078.—E. B. Killen, wheel-rim.

Applications for Letters Patent lapsed.

APPLICATIONS for Letters Patent lapsed, owing to Letters Patent not being sealed, from the 17th to the 30th March, 1911, inclusive:—

- No. 26423.—T. Latham, seed grader and cleaner.
 No. 26502.—E. Le Roy, horse-cover.
 No. 26552.—J. F. Jeune, animal-cover.

B

Letters Patent void.

LIST of Letters Patent void through non-payment of renewal fees, and through expiry of term of fourteen years, from the 17th to the 30th March, 1911, inclusive:—

THROUGH NON-PAYMENT OF SECOND-TERM FEES.

- No. 22215.—L. Anderson, hydrocarbon engine.
 No. 22219.—A. C. Webber, replacing tire-covers.
 No. 22220.—F. E. Penfold, street hand-sweeper.
 No. 22223.—H. S. Marks, door-holder.
 No. 22224.—A. J. Webster, milking-bail.
 No. 22226.—H. E. Parry, counting-machine.
 No. 22227.—D. Houston, acetylene-generator.
 No. 22240.—J. B. Davies, spouting-bracket.
 No. 22242.—R. O. Clark, glazed earthenware blocks.
 No. 22243.—R. O. Clark, yard-sink.
 No. 22245.—R. O. Clark, grate for drains.
 No. 22246.—J. Hanslow, wire gripper and strainer.
 No. 22248.—J. Darnell, rubber attachment to heels.
 No. 22251.—T. S. Humble, internal-combustion engine. (T. S. Humble and E. Schultz.)
 No. 22252.—J. W. Manley and Electric Safety Appliances Company, Limited, winding coils of electric indicating-apparatus.
 No. 22254.—W. Platt, knife-blade attachment.
 No. 22257.—T. B. Sutton, butter-box.
 No. 23686.—S. O. Cowper-Coles, electro deposition of iron.

THROUGH NON-PAYMENT OF THIRD-TERM FEES.

- No. 17398.—J. Greenfield, E. F. Duthie, W. P. Ormond, J. M. and H. J. Gourley, feed-box. (J. A. Easton.)
 No. 17404.—The British Westinghouse Electric and Manufacturing Company, Limited, electric arc lamps. (J. P. Campbell—British Westinghouse Electric and Manufacturing Company, Limited.)
 No. 17419.—Flameless Gaslight Company, Limited, generating combustible vapour. (W. Hooker.)
 No. 17422.—H. Schnitzer, food-warming apparatus.
 No. 17425.—M. Moore and T. J. Heskett, treating iron-ore.

THROUGH EXPIRY OF TERM.

- No. 9380.—T. Waterworth, manufacturing asphalt.
 No. 9390.—Davis Counterbalanced Locomotive Wheel Company, vehicle-wheel. (J. L. Davis.)
 No. 9397.—J. Shiel, J. H. Nimmo, and G. W. Gibson, blight and insect killer. (G. H. Hicks.)

Design registered.

A DESIGN has been registered in the following name on the date mentioned:—

- No. 554.—Henry Schlaadt, of Cumberland Street, Dunedin, New Zealand, Mechanical Engineer and Founder. Class 1. 17th January, 1911.

Applications for Trade Marks filed.

LIST of applications for registration of Trade Marks filed from the 17th to 31st March, 1911, inclusive:—

- Nos. 9478 and 9479.—16th March, 1911.—S. Vincent Christchurch, N.Z. Classes 3 and 48.
 Nos. 9480 and 9481.—16th March, 1911.—L. Christeson Wellington, N.Z. Class 48.
 No. 9482.—18th March, 1911.—Caldwells Inks Proprietary, Limited, Melbourne, Vic. Class 50.
 No. 9483.—18th March, 1911.—W. Adams and Co., Limited, Sydney, N.S.W. Class 2.
 No. 9484.—18th March, 1911.—H. M. Cuff, Auckland, N.Z. Class 3.
 No. 9485.—18th March, 1911.—M. Colbran, "Mrs. B. B. Colbran," Invercargill, N.Z. Class 3.
 No. 9486.—18th March, 1911.—J. Cripser, "J. G. Turney and Son," London, Eng. Class 43.
 No. 9487.—21st March, 1911.—Mrs. A. S. Barraclough, "Barraclough Herbal Proprietary," Wellington, N.Z. Class 3.
 No. 9488.—22nd March, 1911.—J. P. Cochrane and Co., Edinburgh, Scot. Class 49.
 No. 9489.—22nd March, 1911.—Radio Company, Limited, London, Eng. Class 50.
 No. 9490.—22nd March, 1911.—Ellis and Manton, Wellington, N.Z. Class 47.

Nos. 9491 and 9492.—22nd March, 1911.—C. L. Innes and Co., Limited, Hamilton, N.Z. Classes 43 and 44.

Nos. 9493 and 9494.—22nd March, 1911.—A. P. Ordway and Co., New York, U.S.A. Class 3.

No. 9495.—22nd March, 1911.—S. Vincent, Christchurch, N.Z. Class 3.

No. 9496.—23rd March, 1911.—Strathmann and Joachim, Leipzig, Ger. Class 47.

No. 9497.—24th March, 1911.—Donaghy's Rope and Twine Company, Limited, Dunedin, N.Z. Class 50.

No. 9498.—24th March, 1911.—W. Flatt, "Central Photo Stores," Palmerston North, N.Z. Class 1.

No. 9499.—25th March, 1911.—A. Choegneel, Hamilton, N.Z. Class 45.

No. 9500.—27th March, 1911.—Bell and Co., Berlin, Ger. Class 9.

Nos. 9501 and 9502.—27th March, 1911.—S. Vincent, Christchurch, N.Z. Class 3.

No. 9503.—27th March, 1911.—Trythall and Heath, Cambridge, N.Z. Class 42.

No. 9504.—27th March, 1911.—Lyons Bros., Hastings, N.Z. Class 4.

No. 9505.—27th March, 1911.—A. McLean, Hastings, N.Z. Class 4.

No. 9506.—27th March, 1911.—New Zealand Candle Company, Limited, Kaiwarra, N.Z. Class 47.

No. 9507.—28th March, 1911.—A. Bird and Sons, Limited, Birmingham, Eng. Class 42.

Nos. 9508, 9509, and 9510.—28th March, 1911.—A. J. Tower Company, Boston, U.S.A. Class 38.

No. 9511.—28th March, 1911.—Allmänna Svenska Elektriska Aktiebolaget, "Allmänna Svenska Electric Company," "Sociedad Allmänna Svenska De Electricidad," Westeras, Sweden. Class 6.

No. 9512.—28th March, 1911.—R. D. D. McLean, Marakakaho, N.Z. Class 4.

Nos. 9513 and 9514.—29th March, 1911.—Thomson, Lewis, and Co., Wellington, N.Z. Class 44.

No. 9515.—30th March, 1911.—J. Neil, Limited, Dunedin, N.Z. Class 3.

No. 9516.—30th March, 1911.—J. Aston, Wellington, N.Z. Class 3.

No. 9517.—30th March, 1911.—Barnett, Samuel, and Sons, Limited, London, Eng. Class 9.

No. of application: 9294.

Date: 18th March, 1911.

TRADE MARK



The essential particulars of this trade mark are the words "Wattle" and "Gowdenknowes"; and applicant disclaims any right to the exclusive use of the added matter, except his address.

NAME.

JOHN BOWMAN, of Whariti Road, Gowdenknowes, Woodville, Hawke's Bay, in the Dominion of New Zealand.

No. of class: 42.

Description of goods: Cheese.

No. of application: 9897.

Date: 18th February, 1911.

TRADE MARK.

The word

GIRDER.

The essential particular of this trade mark is the word "Girder."

NAME.

WILLIAM REEVES, of Henderson, Auckland, in the Dominion of New Zealand.

No. of class: 50.

Description of goods: Swingletrees.

No. of application: 9428.

Date: 2nd March, 1911.

TRADE MARK.



The essential particulars of this trade mark are an oblong device with an inner block; and any right to the exclusive use of any added matter is disclaimed.

NAME.

WALLETT AND FINLAYSON'S AUCKLAND BEDSTEAD COMPANY, LIMITED, of the City of Auckland, in the Dominion of New Zealand, Manufacturers.

No. of class: 41.

Description of goods: Iron bedsteads and iron cots.

Applications for Registration of Trade Marks.

Patent Office,
Wellington, 31st March, 1911.

A PPLICATIONS for registration of the following Trade Marks have been received. Notice of opposition to the registration of any of these applications may be lodged at this office within two months of the date of this *Gazette*. Such notice must be in duplicate, and accompanied by a fee of £1.

No. of application: 9275.

Date: 29th December, 1910.

TRADE MARK.

The word

PIONEER.

NAME.

DUNLOP RUBBER COMPANY OF AUSTRALASIA, LIMITED, whose registered office is at No. 108 Flinders Street, Melbourne, Victoria, Australia.

No. of class: 38.

Description of goods: Indiarubber and waterproof clothing, but excluding boots, shoes, and footwear.

No. of application: 9440.
Date: 18th March, 1911.

TRADE MARK.
The word
HINEMOA.

NAME.
BYCROFT LIMITED, of Auckland, in the Dominion of New Zealand.

No. of class: 42.
Description of goods: Biscuits.

No. of application: 9441.
Date: 18th March, 1911.

TRADE MARK.
The words
GOLDEN PUFF.

NAME.
BYCROFT LIMITED, of Auckland, in the Dominion of New Zealand.

No. of class: 42.
Description of goods: Biscuits.

No. of application: 9442.
Date: 9th March, 1911.

TRADE MARK.
MLN

The applicant claims that the said trade mark has been used by him in respect of the article mentioned for over thirty years.

NAME.
ROBERT DONALD DOUGLAS McLEAN, of Maraekakaho, in the Dominion of New Zealand, Sheep-farmer.

No. of class: 4.
Description of goods: Merino wool.

No. of application: 9454.
Date: 14th March, 1911.

TRADE MARK.
The word
MEDALLION.

The essential particular of this trade mark is the word "Medallion"; and any right to the exclusive use of a representation of a medal or medallion is disclaimed.

NAME.
ELLIS AND MANTON, of Stout Street, Wellington, in the Dominion of New Zealand.

No. of class: 47.
Description of Goods: Candles, soaps, and all other lines in this class.

No. of application: 9460.
Date: 11th March, 1911.

TRADE MARK.
The word
CO-COOLA.

The essential particular of this trade mark is the invented name "Co-Coola."

NAME.
JAMES NEIL, LIMITED, of 108 George Street, Dunedin, in the Dominion of New Zealand, Chemists.

No. of class: 42.
Description of goods: Cordials and beverages.

No. of application: 9462
Date: 13th March, 1911.



The essential particulars of this trade mark are the combination of devices and the word "Rex"; and applicants disclaim any right to the exclusive use of the added matter, except in so far as it consists of their name.

NAME.
GUINNESS AND LE CREN, LIMITED, of Strathallan Street, Timaru (Waimate and Geraldine), in the Dominion of New Zealand.

No. of class: 46.
Description of goods: Seeds (agricultural).

No. of application: 9463.
Date: 14th March, 1911.

TRADE MARK.
The words
FLOWERY PEKOE.

The essential particular of this trade mark is the word "Flowery"; and any right to the exclusive use of the word "Pekoe" is disclaimed.

NAME.
DONALD HUTCHEON AND WILLIAM HAY, trading as "Ceylon Tea Company," of 63 Dixon Street, Wellington, in the Dominion of New Zealand.

No. of class: 42.
Description of goods: Tea.

No. of application: 9464.
Date: 14th March, 1911.

TRADE MARK.

The words

THE GOLDEN COMFORTER.

NAME.

DONALD HUTCHEON AND WILLIAM HAY, trading as "Ceylon Tea Company," of 63 Dixon Street, Wellington, in the Dominion of New Zealand.

No. of class: 42.
Description of goods: Tea.

No. of application: 9476.
Date: 15th March, 1911.

TRADE MARK

The word

RECEO.

NAME.

BORSORFF AND COMPANY, of Nos. 277-279 Flinders Lane, Melbourne, Victoria, Australia, Warehousemen.

No. of class: 38.
Description of goods: Articles of clothing.

No. of application: 9479.
Date: 16th March, 1911.

TRADE MARK.

The word

ROSILLA.

NAME.

SPENCER VINCENT, of A. J. White's Buildings, High Street, Christchurch, in the Dominion of New Zealand, Chemist and Druggist.

No. of class: 48.
Description of goods: Perfumery and toilet preparations, hair-restorers, and toilet-soaps.

No. of application: 9481.
Date: 16th March, 1911.

TRADE MARK.

The word

EMPRESS.

The essential particular of this trade mark is the word "Empress."

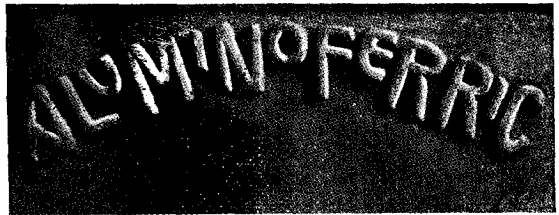
NAME.

LOUIS CHRISTESON, of Manners Street, Wellington, in the Dominion of New Zealand, Hair-specialist.

No. of class: 48.
Description of goods: Hair-stains.

No. of application: 9483.
Date: 18th March, 1911.

TRADE MARK



The essential particular of the trade mark is the compound word "Aluminoferric."

NAME.

WILLIAM ADAMS AND CO., LIMITED, of 175 Clarence Street, Sydney, in the State of New South Wales, in the Commonwealth of Australia, Engineers and Importers.

No. of class: 2.
Description of goods: A chemical compound for the purification of water.

No. of application: 9484.
Date: 18th March, 1911.

TRADE MARK.

The word

CO-GO.

NAME.

HELEN MURRAY CUFF, of Parnell, Auckland, in the Dominion of New Zealand.

No. of class: 3.
Description of goods: A herbal remedy.

No. of application: 9485.
Date: 18th March, 1911.

TRADE MARK.



The essential particulars of this trade mark are the name "Plmetto" and the photograph; and any right to the exclusive use of "is a Herbal Cure of Universal Value" is disclaimed.

NAME.

MARY COLBRAN, wife of Benjamin B. Colbran, of Woodend, Invercargill, in the Dominion of New Zealand, trading as "Mrs. B. B. Colbran."

No. of class: 3.
Description of goods: Medicines.

No. of application: 9488.
Date: 22nd March, 1911.

TRADE MARK.
CHALLENGER



·BRAND·

The essential particulars of this trade mark are the figure of a man in armour in combination with the word "Challenger"; and any right to the exclusive use of the added matter, the word "Brand," is disclaimed.

NAME.

J. P. COCHRANE AND Co., of Murano Works, Albert Street, Edinburgh, Scotland, Golf-ball Manufacturers.

No. of class: 49.
Description of goods: Sporting-goods not included in other classes.

No. of application: 9489.
Date: 22nd March, 1911.

TRADE MARK.
REDIO

NAME.

THE REDIO COMPANY, LIMITED, of 67 Fore Street, in the City of London, England, Manufacturers.

No. of class: 50.
Description of goods: Polishing-cloths.

No. of application: 9497.
Date: 24th March, 1911.

TRADE MARK.
The word
ECLIPSE.

NAME.

DONAGHY'S ROPE AND TWINE COMPANY, LIMITED, of Dunedin and elsewhere in the Dominion of New Zealand.

No. of class: 50.
Description of goods: Binder-twine, seaming-twine, plough-lines, and rope, cordage, and twine of every description included in this class.

No. of application: 9500.
Date: 27th March, 1911.

TRADE MARK.
The word
ARION.

The essential particular of this trade mark is the word "Arion."

NAME.

BELL AND Co., of Berlin, Germany, Piano-manufacturers.

No. of class: 9.
Description of goods: Pianos, manufactured.

No. of application: 9502.
Date: 27th March, 1911.

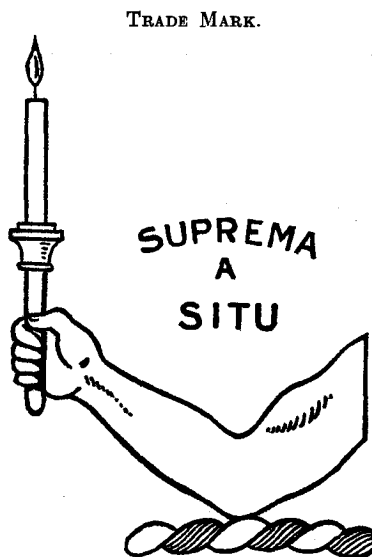
TRADE MARK.
The word
DIMES.

NAME.

SPENCER VINCENT, of A. J. White's Buildings, High Street, Christchurch, in the Dominion of New Zealand, Chemist and Druggist.

No. of class: 3.
Description of goods: Medicines.

No. of application: 9506.
Date: 27th March, 1911.



The essential particular of this trade mark is the distinctive device of arm holding candle; and any right to the exclusive use of the words "Suprema a situ" is disclaimed.

NAME.

THE NEW ZEALAND CANDLE COMPANY, LIMITED, of Kaiwarra, Wellington, in the Dominion of New Zealand.

No. of class: 47.

Description of goods: Candles.

No. of application: 9512.

Date: 28th March, 1911.

TRADE MARK.



The applicant claims that the said trade mark has been used by him in respect of the article mentioned for over thirty years.

NAME.

ROBERT DONALD DOUGLAS McLEAN, of Maraekakaho, in the Dominion of New Zealand, Sheep-farmer.

No. of class: 4.

Description of goods: Crossbred wool.

No. of application: 9513.

Date: 29th March, 1911.

TRADE MARK.

The word

RUSSETTA.

NAME.

THOMSON, LEWIS, AND Co., of Tory Street, Wellington, in the Dominion of New Zealand, Aerated-water Manufacturers.

No. of class: 44.

Description of goods: Non-alcoholic and aerated cider.

No. of application: 9514.

Date: 29th March, 1911.

TRADE MARK.

The word

CROMAC.

NAME.

THOMSON, LEWIS, AND Co., of Tory Street, Wellington, in the Dominion of New Zealand, Aerated-water Manufacturers.

No. of class: 44.

Description of goods: Non-alcoholic and aerated dry ginger-ale.

No. of application: 9515.

Date: 30th March, 1911.

TRADE MARK.



The essential particular of this trade mark is the representation of a swallow.

NAME.

JAMES NEIL, LIMITED, of 108 George Street, Dunedin, in the Dominion of New Zealand, Chemists.

No. of class: 3.

Description of goods: Medicines.

No. of application: 9516.

Date: 30th March, 1911.

TRADE MARK.



The essential particular of this trade mark is the representation of a tooth.

NAME.

JOHN ASTON, of Wellington, in the Dominion of New Zealand, Manufacturer.

No. of class: 3.

Description of goods: All medicated preparations for external and internal use included in this class.

J. C. LEWIS,
Registrar.

Trade Marks registered.

LIST of Trade Marks registered from the 17th to the 31st March, 1911, inclusive:—

No. 7324/9109.—H. F. Stevens. Class 43. (*Gazette* No. 2, of the 12th January, 1911.)

No. 7325/9214.—G. W. Darvall. Class 50. (*Gazette* No. 108, of the 15th December, 1910.)

Nos. 7326/9051, 7327/9052.—Young and Collins. Classes 13 and 37. (*Gazette* No. 90, of the 6th October, 1910.)

No. 7328/8601.—J. B. MacEwan and Co., Limited. Class 42. (*Gazette* No. 27, of the 24th March, 1910.)

Nos. 7329/8617 and 7330/8618.—J. B. MacEwan and Co., Limited. Class 42. (*Gazette* No. 32, of the 7th April, 1910.)

No. 7331/8969.—J. W. Fenton. Class 3. (*Gazette* No. 90, of the 6th October, 1910.)

No. 7332/9144.—Otago Iron Rolling Mills Company, Limited. Class 5. (*Gazette* No. 100, of the 17th November, 1910.)

No. 7333/9242.—W. G. Allen. Class 39. (*Gazette* No. 2, of the 12th January, 1911.)

No. 7334/9245.—Marshall Shoe Company. Class 38. (*Gazette* No. 2, of the 12th January, 1911.)

Nos. 7335/9186, 7336/9187, and 7337/9188.—Barnett, Samuel, and Sons, Limited. Class 8. (*Gazette* No. 2, of the 12th January, 1911.)

No. 7338/9216.—Adams and Elting Company. Class 50. (*Gazette* No. 2, of the 12th January, 1911.)

No. 7339/9222.—H. Heide. Class 42. (*Gazette* No. 108, of the 15th December, 1910.)

No. 7340/8968.—R. J. Gauntlett. Class 1. (*Gazette* No. 86, of the 22nd September, 1910.)

Nos. 7341/8627 and 7342/8628.—Champion and Slee, Limited. Class 42. (*Gazette* No. 37, of the 21st April, 1910.)

No. 7343/9173.—W. A. Anderson. Class 42. (*Gazette* No. 108, of the 15th December, 1910.)

No. 7344/9110.—H. F. Stevens. Class 44. (*Gazette* No. 7, of the 26th January, 1911.)

Trade Mark Renewal Fees paid.

FEEES paid for the renewal of the undermentioned Trade Marks for fourteen years from the date first mentioned:—

Nos. 1941/1567, 1942/1568, and 1943/1569.—27th March, 1911.—S. Kutnow and Co., Limited, London, Eng. 16th March, 1911.

No. 1944/1606.—27th March, 1911.—Marshall's Chemical Company, Limited, Dunedin, N.Z. 27th March, 1911.

No. 1957/1575.—8th April, 1911.—Clément et Cie, Valence, France. 22nd March, 1911.

No. 1964/1562.—26th April, 1911.—Christy and Co., Limited, London, Eng. 28th March, 1911.

No. 2026/1680.—14th June, 1911.—Wellington Fresh Food and Ice Company, Limited, Wellington, N.Z. (Finn, Chisholm, and Co.) 30th March, 1911.

Subsequent Proprietor of Trade Mark registered.

[NOTE.—The name of the former proprietor is given in brackets; the date is that of registration.]

No. 805/613.—The Thames Valley Co-operative Dairying Company, Limited, of Paeroa, Ohinemuri, Auckland, New Zealand. (T. W. Jones—J. H. Harris and T. W. Jones.) 24th March, 1911.

Trade Marks removed from the Register.

TRADe Marks removed from the Register owing to the non-payment of the renewal fee, from the 17th to the 30th March, 1911, inclusive:—

No. 1873/1506.—23rd December, 1896.—Austral Cycle Agency, Limited, Coventry, Eng. Class 22.

No. 1875/1508.—24th December, 1896.—Robjohns, Hindmarsh, and Co., Napier, N.Z. Class 42.

No. 1877/1501.—24th December, 1896.—M. H. Reynolds, Christchurch, N.Z. Class 42.

Nos. 1879/1538 and 1880/1503.—29th December, 1896.—F. Pinet, Paris, France. Class 38.

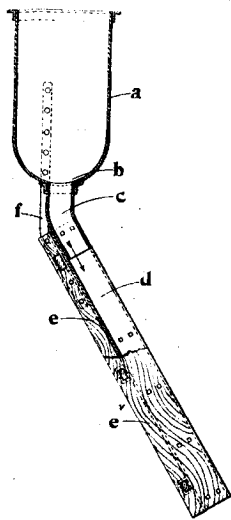
Applications for Trade Marks withdrawn.

THE following applications for Trade Marks have been withdrawn:—

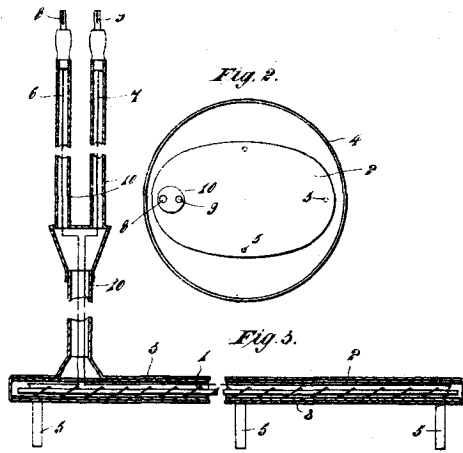
Nos. 8880 and 8881.—Locke, Blackett, and Co., Limited. (Advertised in Supplement to *New Zealand Gazette*, No. 15, of the 23rd February, 1911, and 12, of the 9th February, 1911, respectively.)

ILLUSTRATIONS OF INVENTIONS.

[These illustrations refer to the complete specifications accepted, and advertised in this *Gazette*.]



Boiler-incrustation Preventer. Neff and Brandes. 27454.



Water-heater. Kirkwood. 27470.

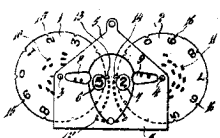
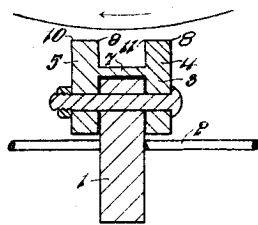


FIG. 1.



FIG. 2.

Ear-mark. Dillicar. 27868.



Thresher-concave Strin. Gaiger. 27968.

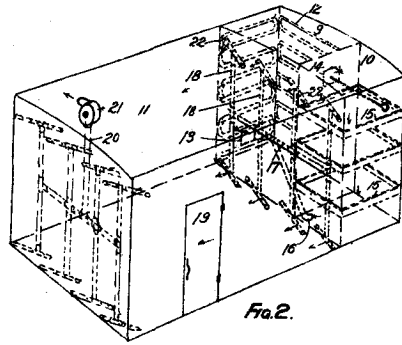
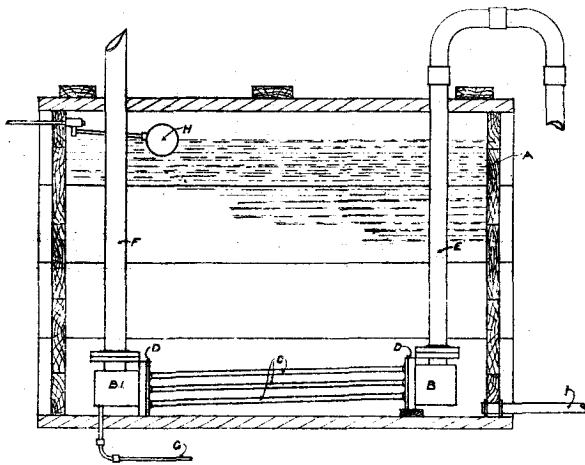


FIG. 2.

Preservation of Meat, &c. Sheppey and Boyle. 27680.



Exhaust-utilizer. Berry. 27902.

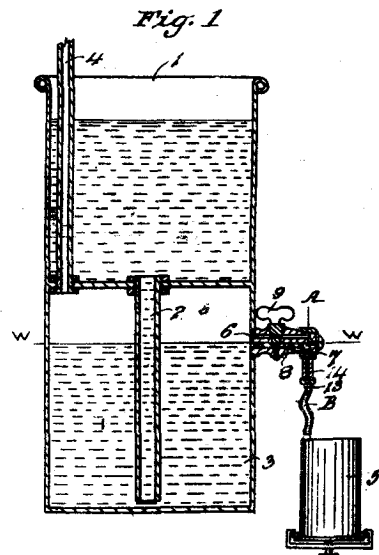


FIG. 1

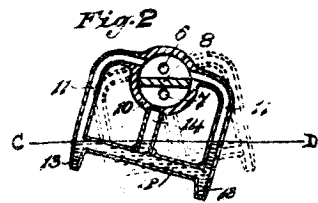


FIG. 2

Acetylene-generator. Woodfield. 27888.

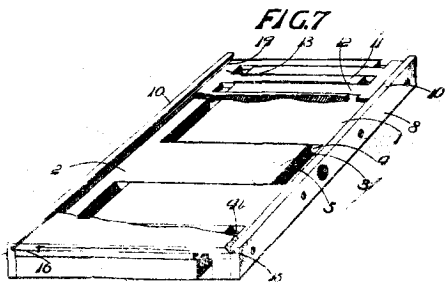
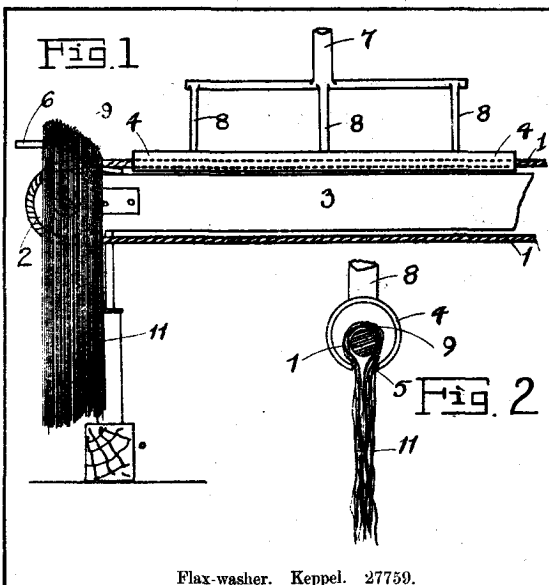
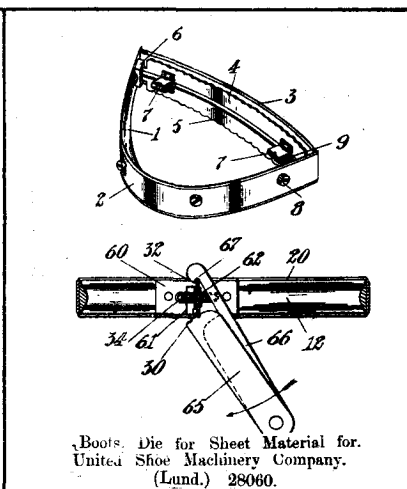


FIG. 7

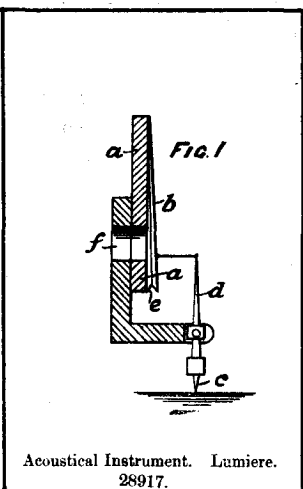
Mount for Blocks. Webber. 27876.



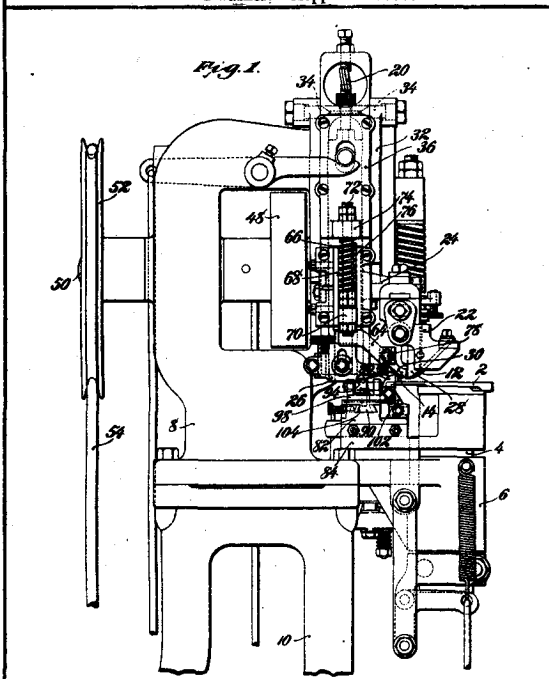
Flax-washer. Keppel. 27759.



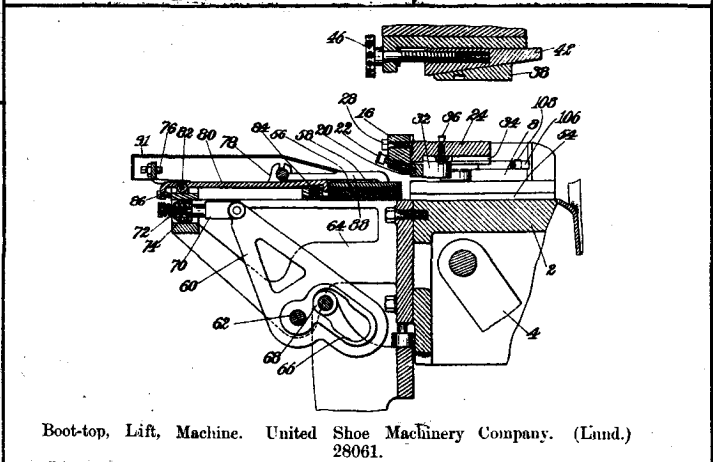
Boots, Die for Sheet Material for. United Shoe Machinery Company. (Lund.) 28060.



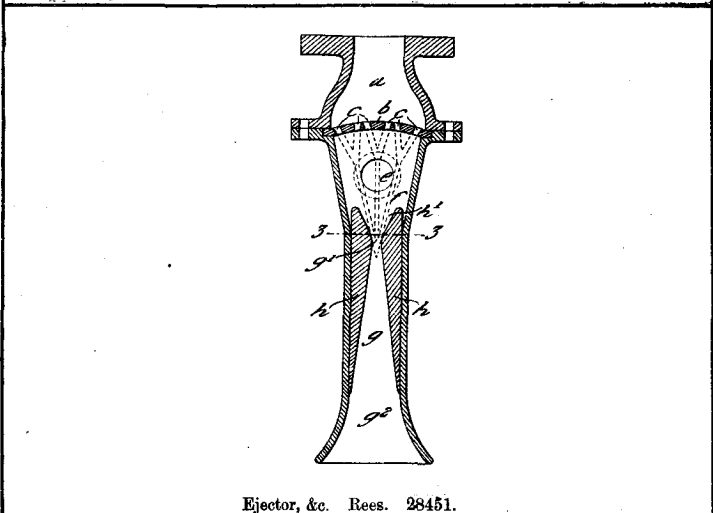
Acoustical Instrument. Lumiere. 28917.



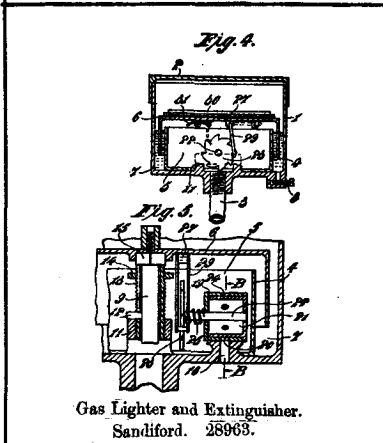
Boot-sole Machine. United Shoe Machinery Company. (Bertrand.) 28107.



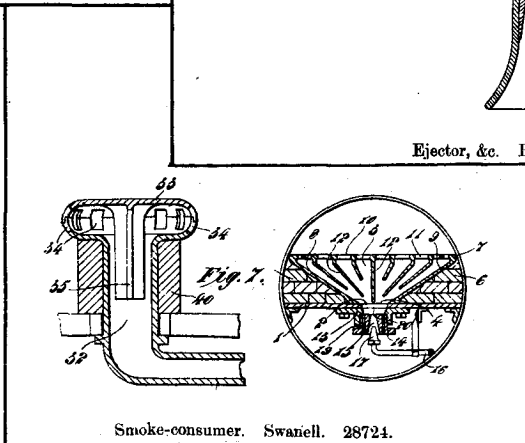
Boot-top, Lift, Machine. United Shoe Machinery Company. (Lund.) 28061.



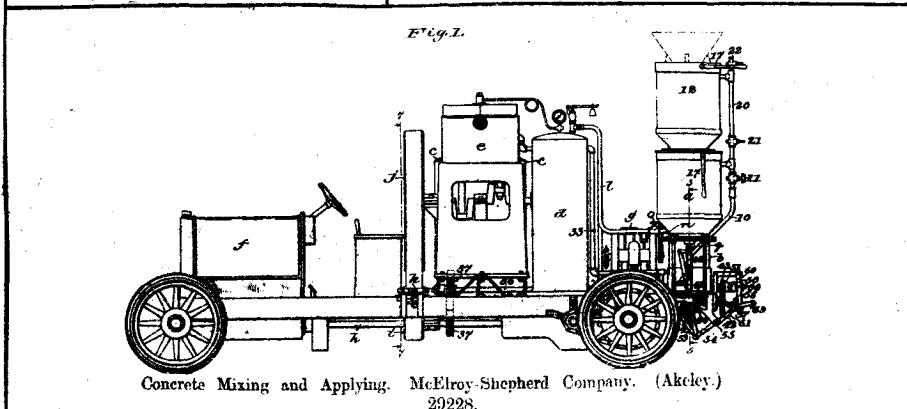
Ejector, &c. Rees. 28451.



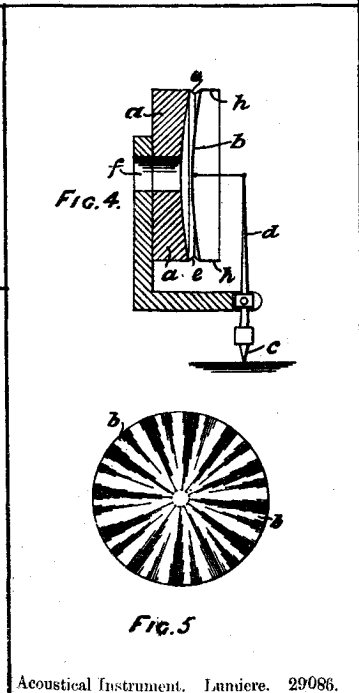
Gas Lighter and Extinguisher. Sandiford. 28963.



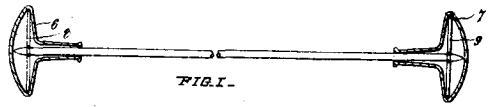
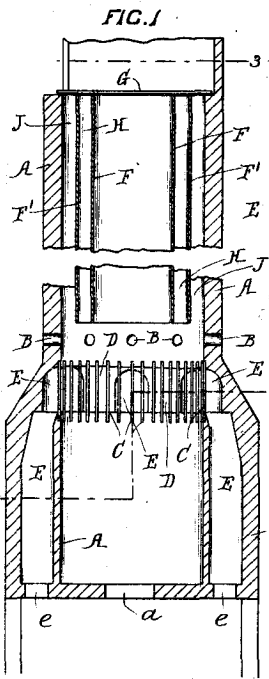
Smoke-consumer. Swanell. 28724.



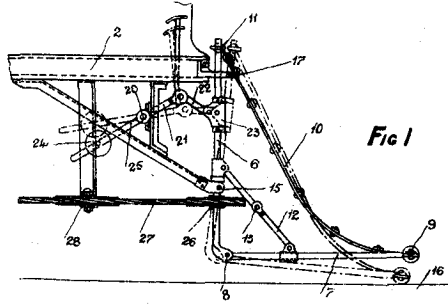
Concrete Mixing and Applying. McElroy-Shepherd Company. (Akeley.) 29228.



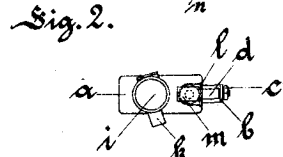
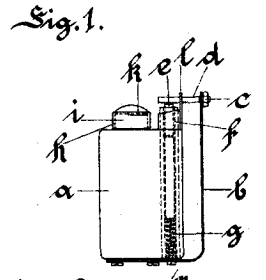
Acoustical Instrument. Lumiere. 29086.



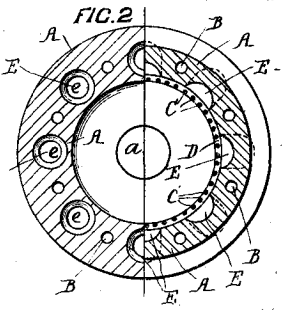
Hatpin. Lyons. 29185.



Car-fender. Miller. 29190.



Igniter. Deimel. 29196.



Lime-kiln. Caspar. 29193.

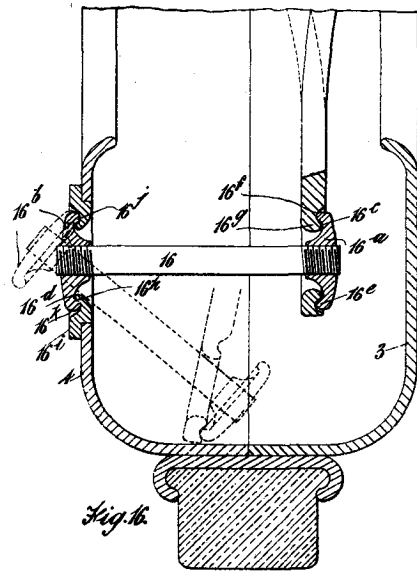


Fig. 1.

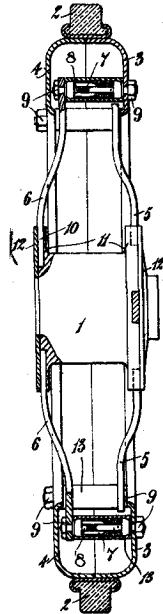


Fig. 3.

Wheel. Horstmann. 29192.

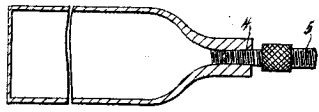
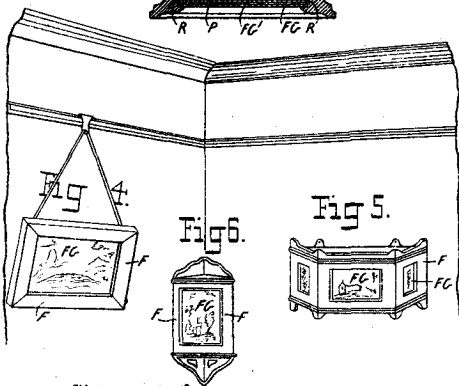
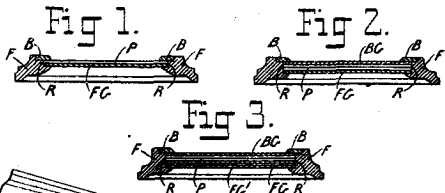
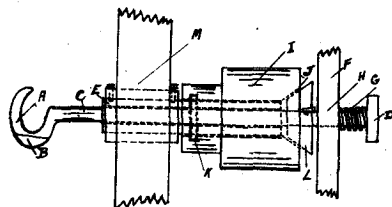


FIG. 2.

Tire-puncture Closer. Dowden. 29164.



Pictures. Shuttleworth. 29198.



Flax-dressing. Suttie and Wynyard. 27672.

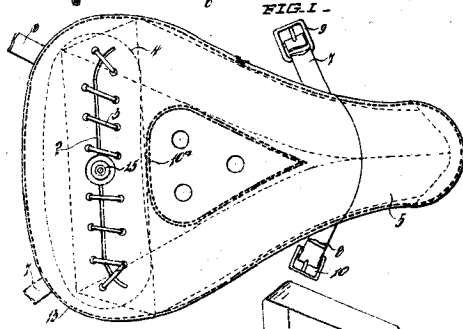
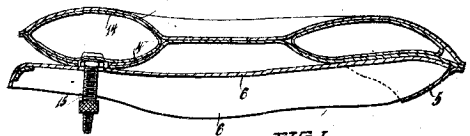


FIG. 2.

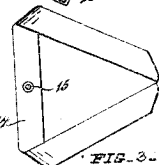


FIG. 3.

Bicycle-saddle Cushion. W. I. and E. A. V. Aston. 29276.

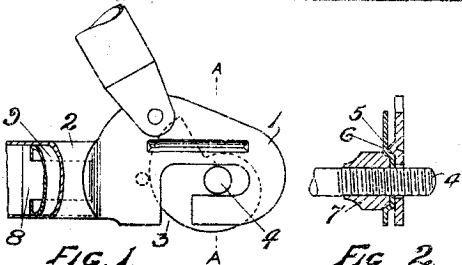
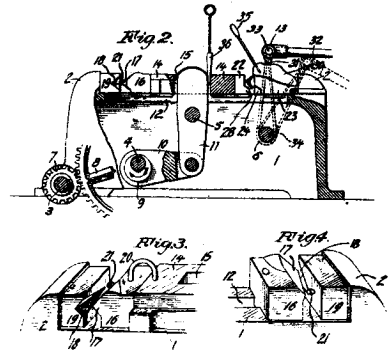
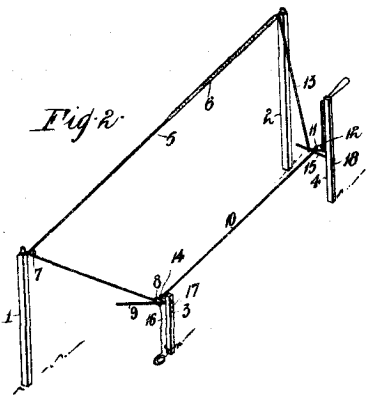
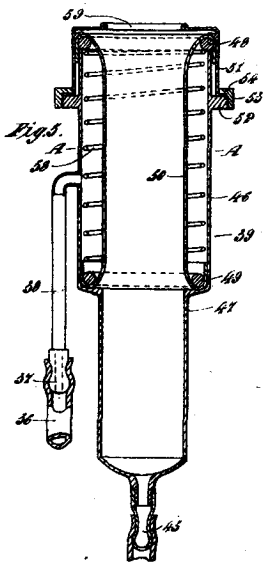


FIG. 1.

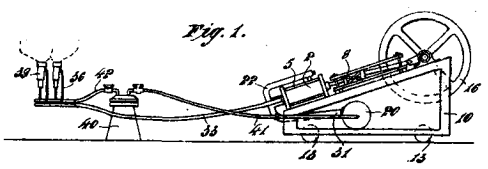
FIG. 2.

Bicycle-wheel Fitting. McKellar. 29182.

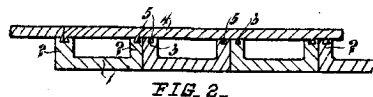


Plough-share Manufacture. Fry. 20810.

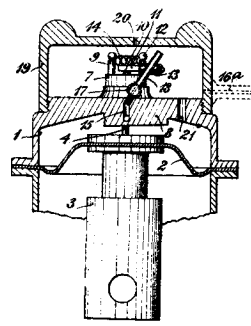
Horse-race Starter. Higgins. 29213.



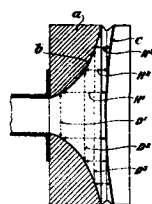
Milking-machine. Collins and Wilson. 29215.



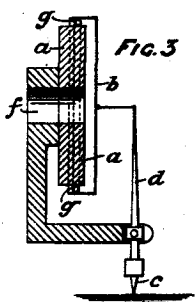
Building-construction. De Montalk. 29223.



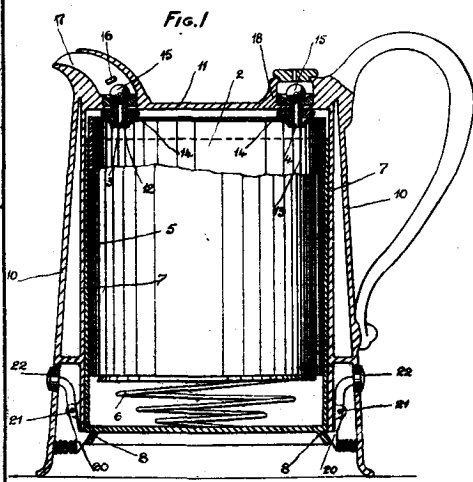
Milking-machine Pulsator. Henrichsen. 29224.



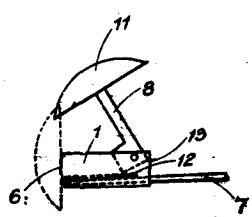
Acoustical Instrument. Lumiere. 29087.



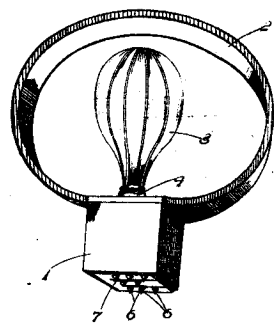
Acoustical Instrument. Lumiere. 28940.



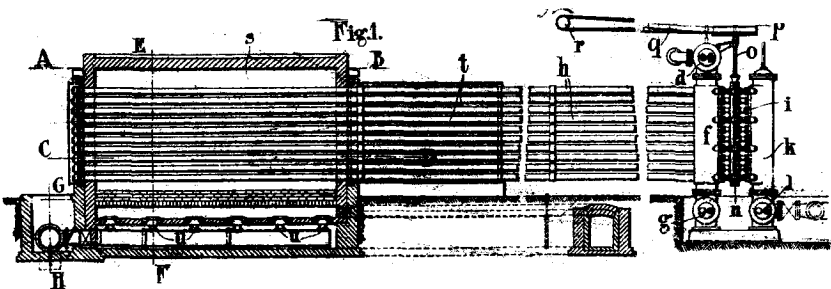
Jug. Honour. 29091.



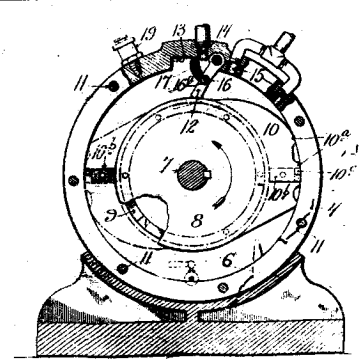
Hatpin-point Protector. Gunn. 29227.



Branding-apparatus. Penney. 27881.



Peat-carbonizing. Testrup. 29218.



Rotary Engine. Lindley and Schreier. 29211.